

GRIP HEATER

Accessory Name	Parts Number	Application Model	Issue Date	Publication No.	FRT
GRIP HEATER	08T70-MLB-D20	CB750A	2024.10	MII	1.1 H
GRIP HEATER ATTACHMENT	08T71-MLB-D20				

Introduction

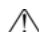





ALL INFORMATION, ILLUSTRATIONS, DIRECTIONS AND SPECIFICATIONS INCLUDED IN THIS PUBLICATION ARE BASED ON THE LATEST PRODUCT INFORMATION AVAILABLE AT THE TIME OF APPROVAL FOR PRINTING. Honda Motor Co., Ltd. RESERVES THE RIGHT TO MAKE CHANGES AT ANY TIME WITHOUT NOTICE AND WITHOUT INCURRING ANY OBLIGATION WHATSOEVER. NO PART OF THIS PUBLICATION MAY BE REPRODUCED WITHOUT WRITTEN PERMISSION. THIS MANUAL IS WRITTEN FOR PERSONS WHO HAVE ACQUIRED BASIC KNOWLEDGE OF MAINTENANCE ON Honda MOTORCYCLES, MOTOR SCOOTERS OR ATVS.

Honda Dealer:
Please give a copy of these instructions to your customer.

Customer:
Because it requires specialized knowledge and special tools and equipment, it is recommended to install it at a dealer with qualified automobile maintenance.

How To Read These Symbols

Your safety, and the safety of others, is very important. To help you make informed decisions we have provided safety messages and other information throughout this manual.

-  **WARNING** You CAN be KILLED or SERIOUSLY HURT if you don't follow instructions.
-  **CAUTION** You CAN be HURT if you don't follow instructions.
-  **NOTICE** The purpose of this message is to help prevent damage to your vehicle, other property, or the environment.
-  **NOTE** Things you want to know, things that are useful to know.
-  Follow the instructions of the Service Manual.
-  Follow the other symbol instructions of the "Installation Instructions BASIC".

Instruction Other Symbols

The symbols used throughout this instructions show specific service procedures. Refer to "Installation Instructions BASIC" for description of each symbol.

INFORMATION

WARNING

- For secure adhesion of the heated grip use the recommended adhesive agent (Pro Honda Handgrip Cement) or equivalent.
- Be sure to open and close the throttle to check for smooth operation after installation of the right heated grip.

CAUTION

- To prevent burns, allow the engine, exhaust system, radiator, etc., to cool before installing the accessory.

NOTICE

- Take care not to damage the painted surfaces of the motorcycle.
- Do not place magnetic field sensitive objects or magnets around the APS unit.

NOTE:

- Remove the right grip as instructed in the motorcycle's Service Manual.
- Reinstall the removed parts on the motorcycle and make sure that wires and harnesses are not pinched.
- Disconnect the negative (-) cable from the battery before installing this accessory.
- Trim the excess ends off the wire ties after attaching them to the wire harnesses. Do not allow the cut part of the wire tie to interfere with another harness or brake hose.
- After reconnecting the battery, refer to the motorcycle Owner's Manual and set the meter.
- Move the handlebar right to left and check that the harnesses are not pinched by the neighboring components and that they are not too tight.
- After this accessory installation, check the lights (e.g. right/left turn signal lights and brake lights) for proper operation.
- Save all removed parts unless otherwise indicated.
- Be sure to open and close the throttle to check for smooth operation after installation of the right grip heater.
- Heat the bonding surfaces with a hair dryer if the ambient air temperature is below 21°C (70°F).
- The adhesive reaches full strength in 72 hours. Wait at least 24 hours before riding your motorcycle.

PARTS LIST

When the instruction manual and installation instructions are included in this kit, be sure to give them to the customer.

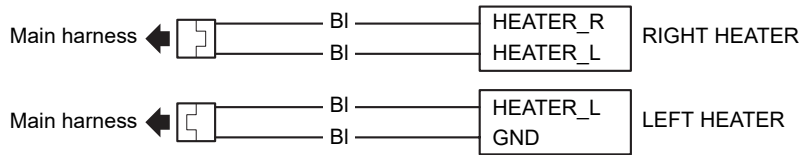
<GRIP HEATER>

Component	No.	Parts Name	Qty	Parts No.
	(1)	Right heater	1	-
	(2)	Left heater	1	-

<GRIP HEATER ATTACHMENT>

Component	No.	Parts Name	Qty	Parts No.	
	(3)	Wire tie (long)	8	35701-MG9-950	
	(4)	Clamper cord	1	35135-MJM-D60	
	(5)	Rubber band	1	90652-MKH-D20	
	(6)	Steering handle end	2	53105-K98-E20	
	(7)	Band clip	1	91540-S7S-003	
	(8)	Cord protector B	4	-	
	(9)	Wire tie (short)	2	90651-KV6-003	

SYSTEM DIAGRAM



Identify wire colors:
BI: Black

TORQUE INFORMATION

Refer to the Service Manual for the torque values including standard torque of the removed parts. (🔧)

INSTALLATION

1. Install the parts, bundle and mark as shown.

<LEFT SIDE>

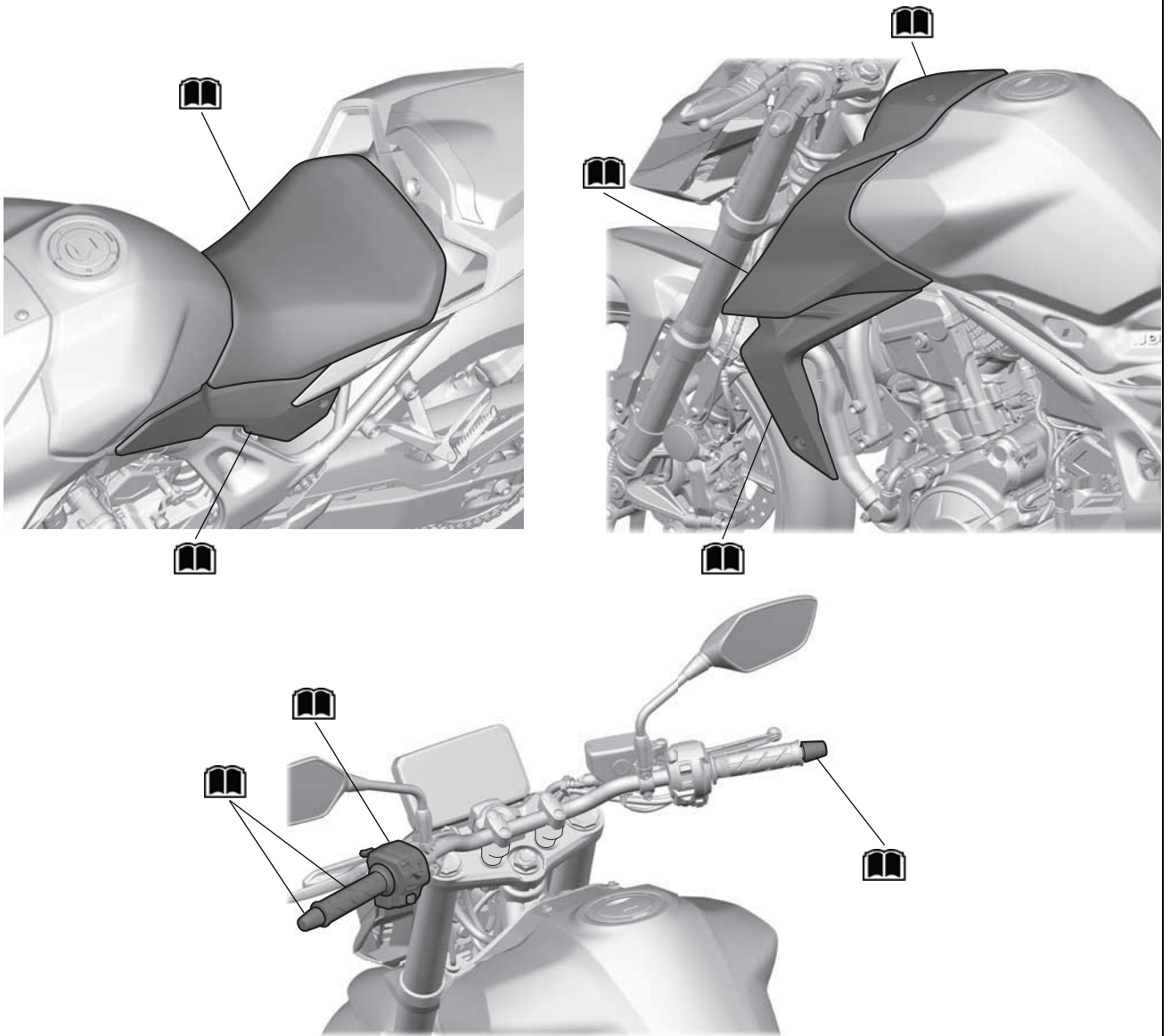
Wind the PVC tape for 2 - 3 turns.

<RIGHT SIDE>

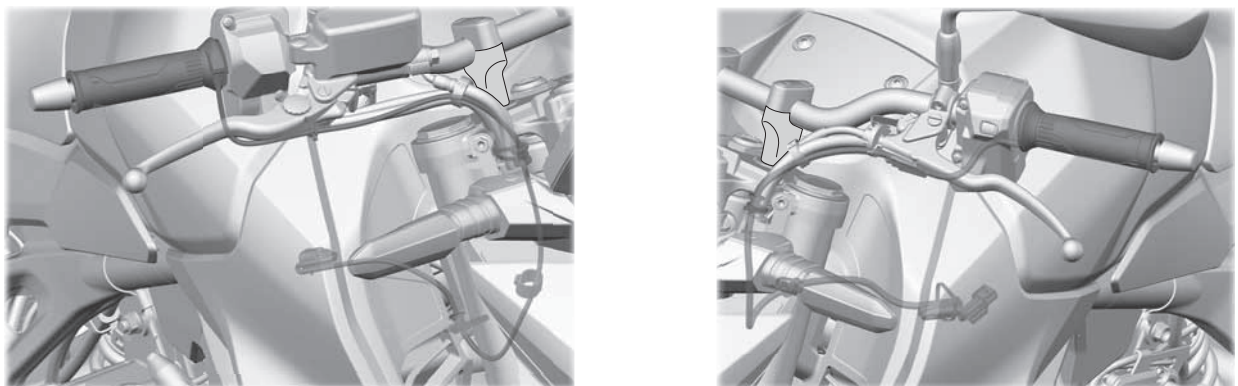
Mark A

Wind the PVC tape for 2 - 3 turns.

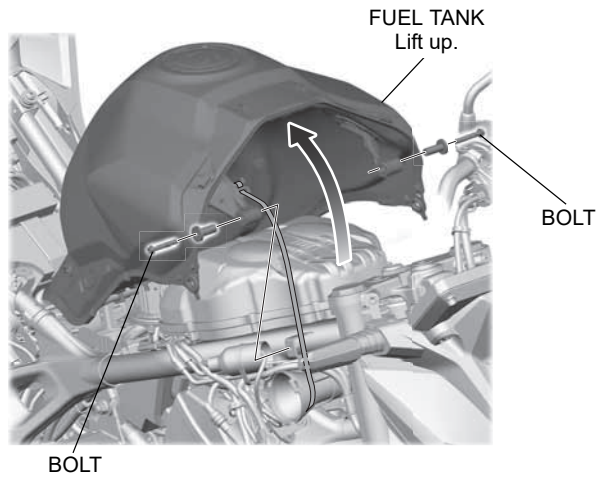
2. Refer to the Service Manual for motorcycle, remove the motorcycle parts as shown, and disconnect the negative (-) cable from the battery. (📖)
- Repeat on the right side.



INSTALLATION IMAGE

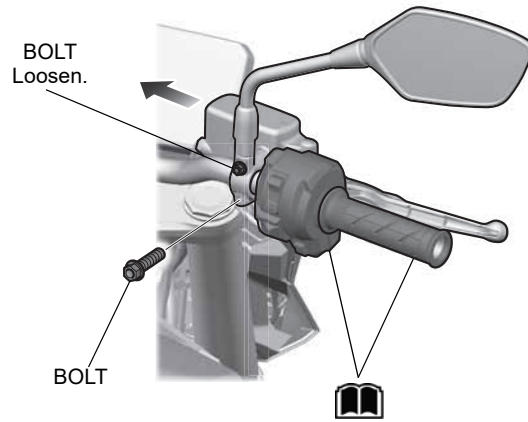


3. Lift the fuel tank as shown.



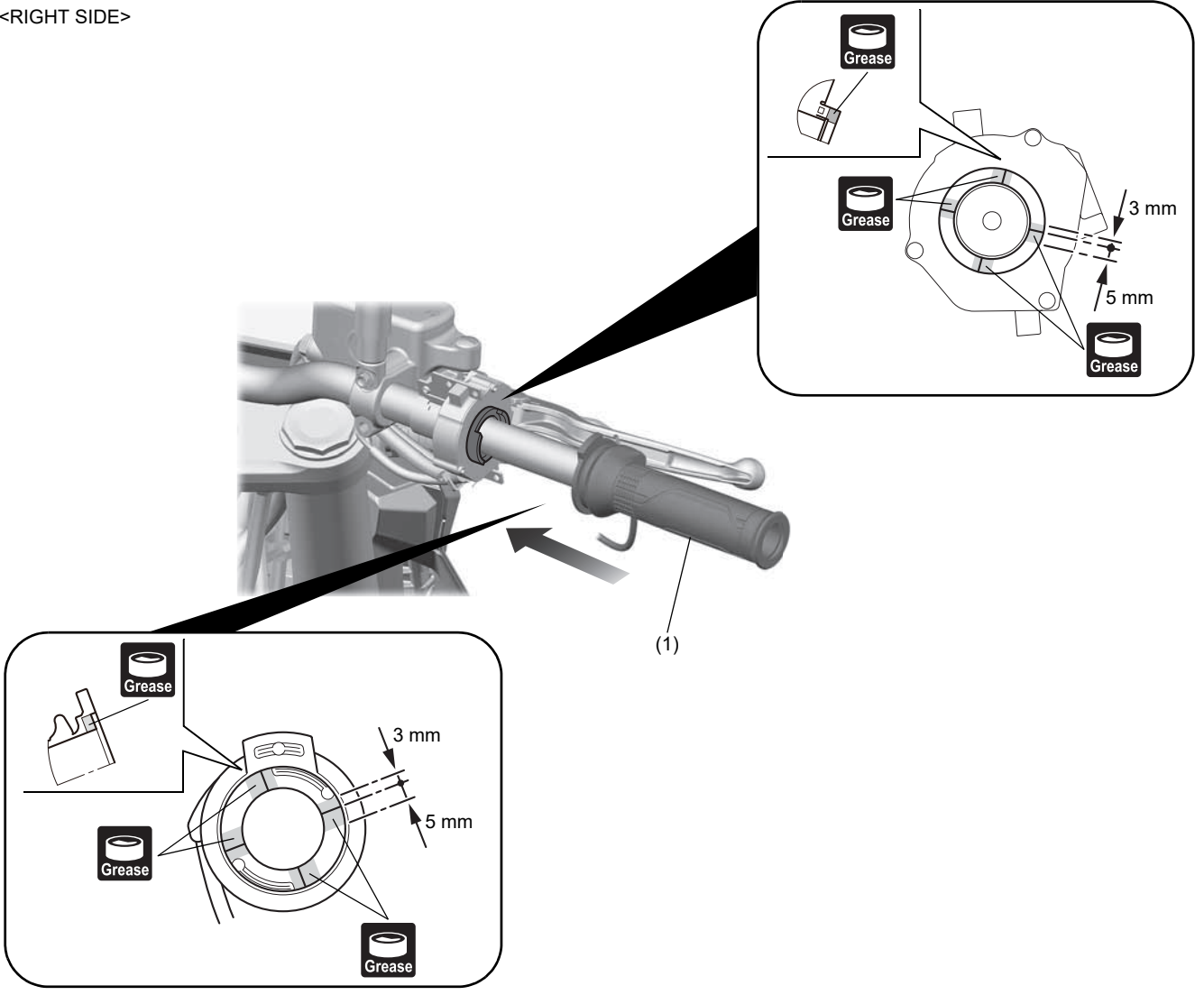
4. Refer to the Service Manual for motorcycle, remove the motorcycle's parts as shown. (📖)

<RIGHT SIDE>



5. Install as shown.

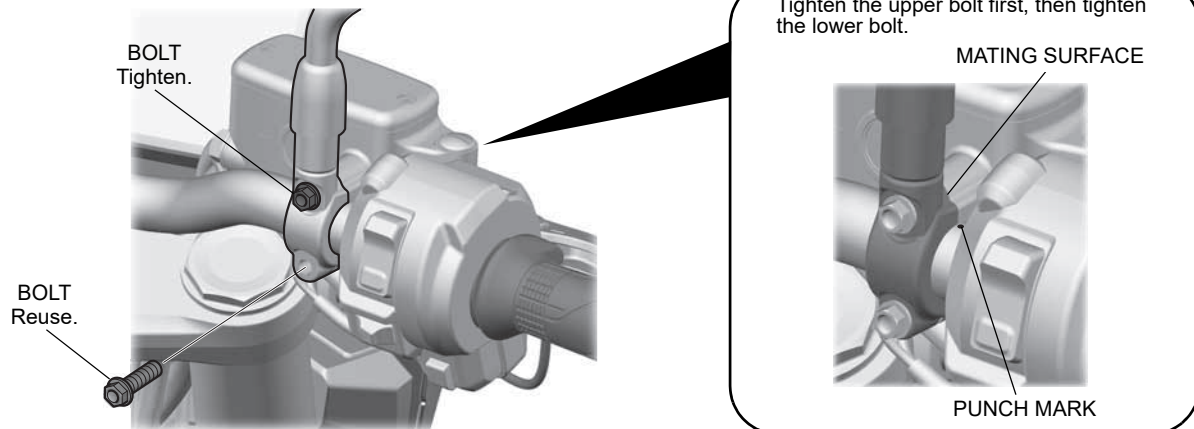
<RIGHT SIDE>



6. Install the right handle switch in the reverse order of removal.

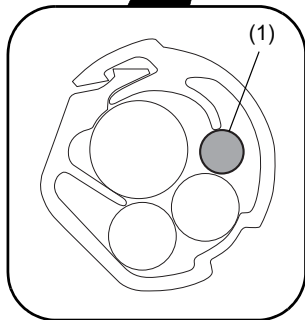
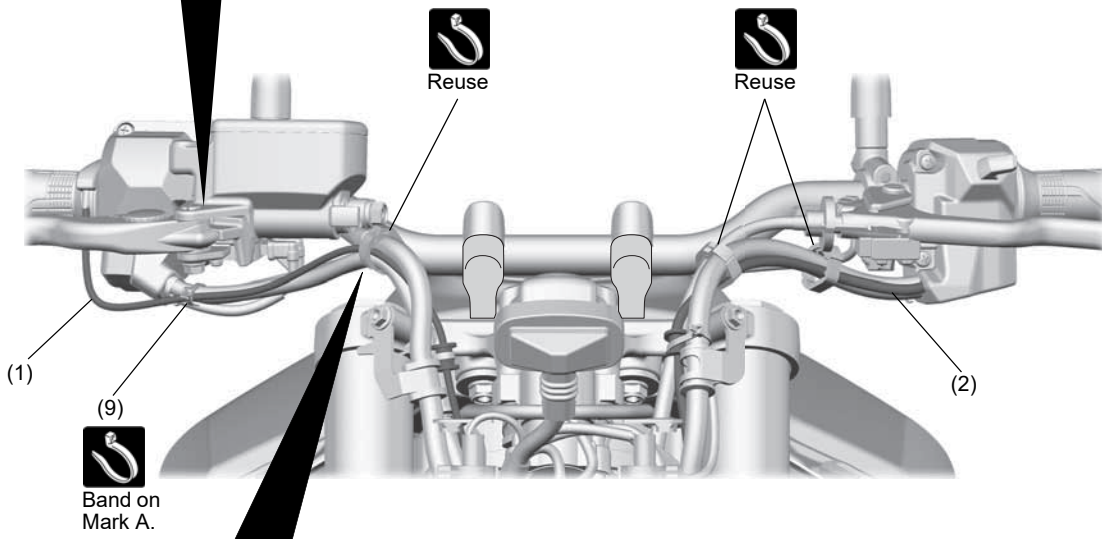
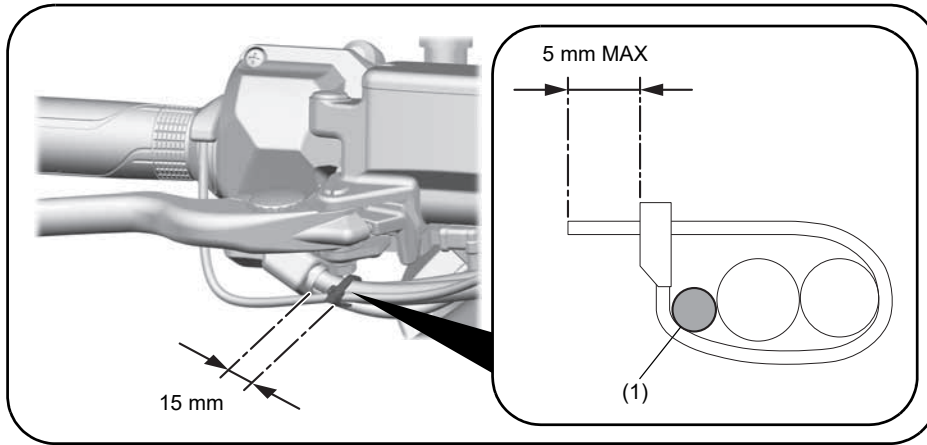
7. Install as shown.

<RIGHT SIDE>



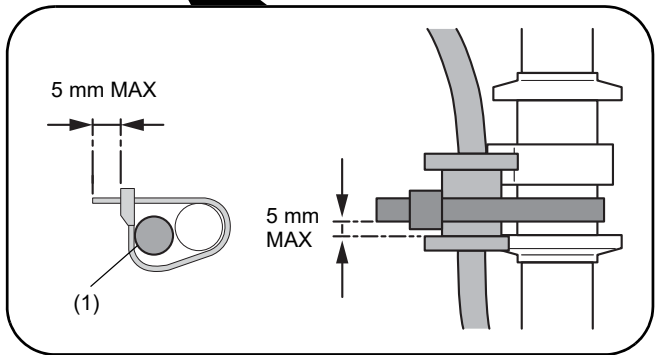
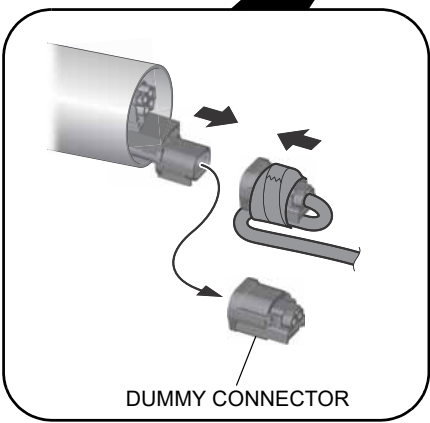
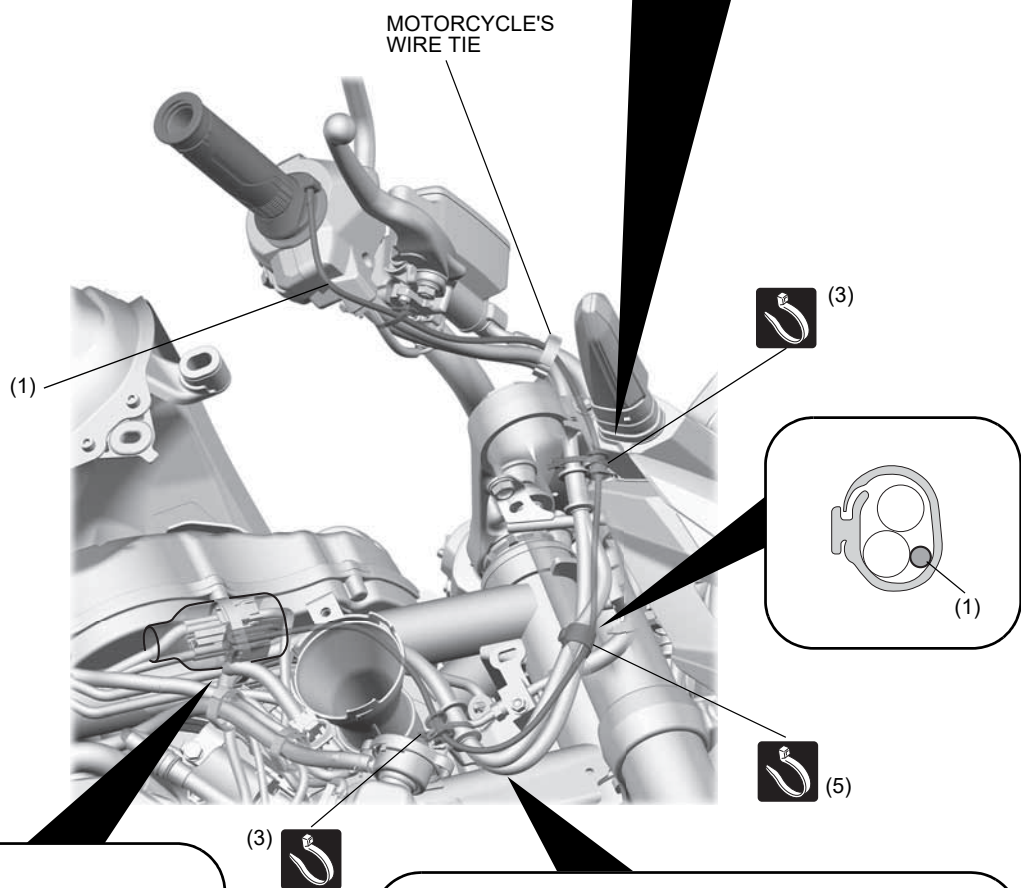
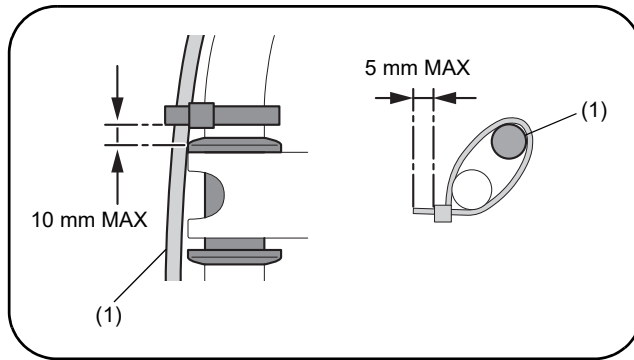
8. Route the harness as shown.

<RIGHT SIDE>



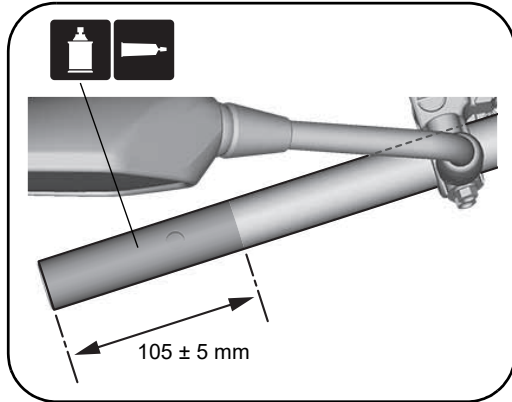
9. Route and connect the harness as shown.

<RIGHT SIDE>

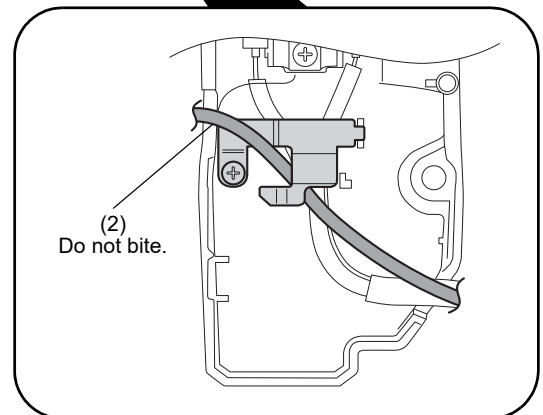
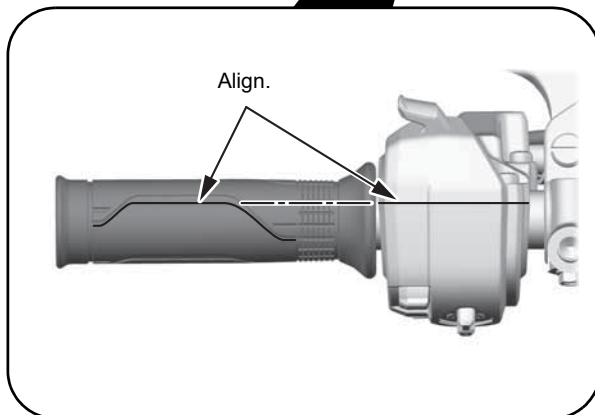
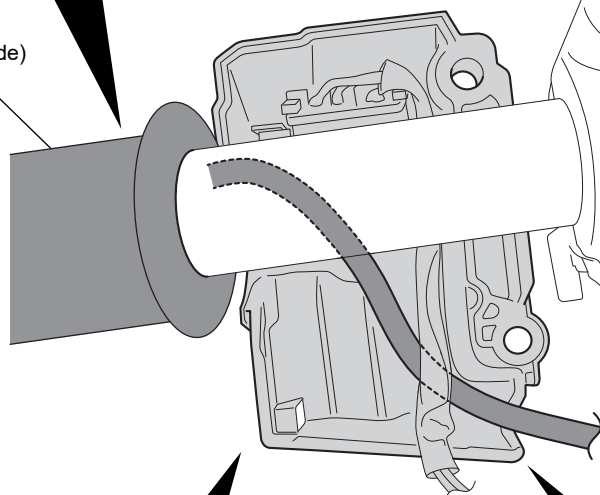


10. Install as shown.
• Open and close the throttle and check that the grip heater harness is not pulled or caught on the projections.

<LEFT SIDE>

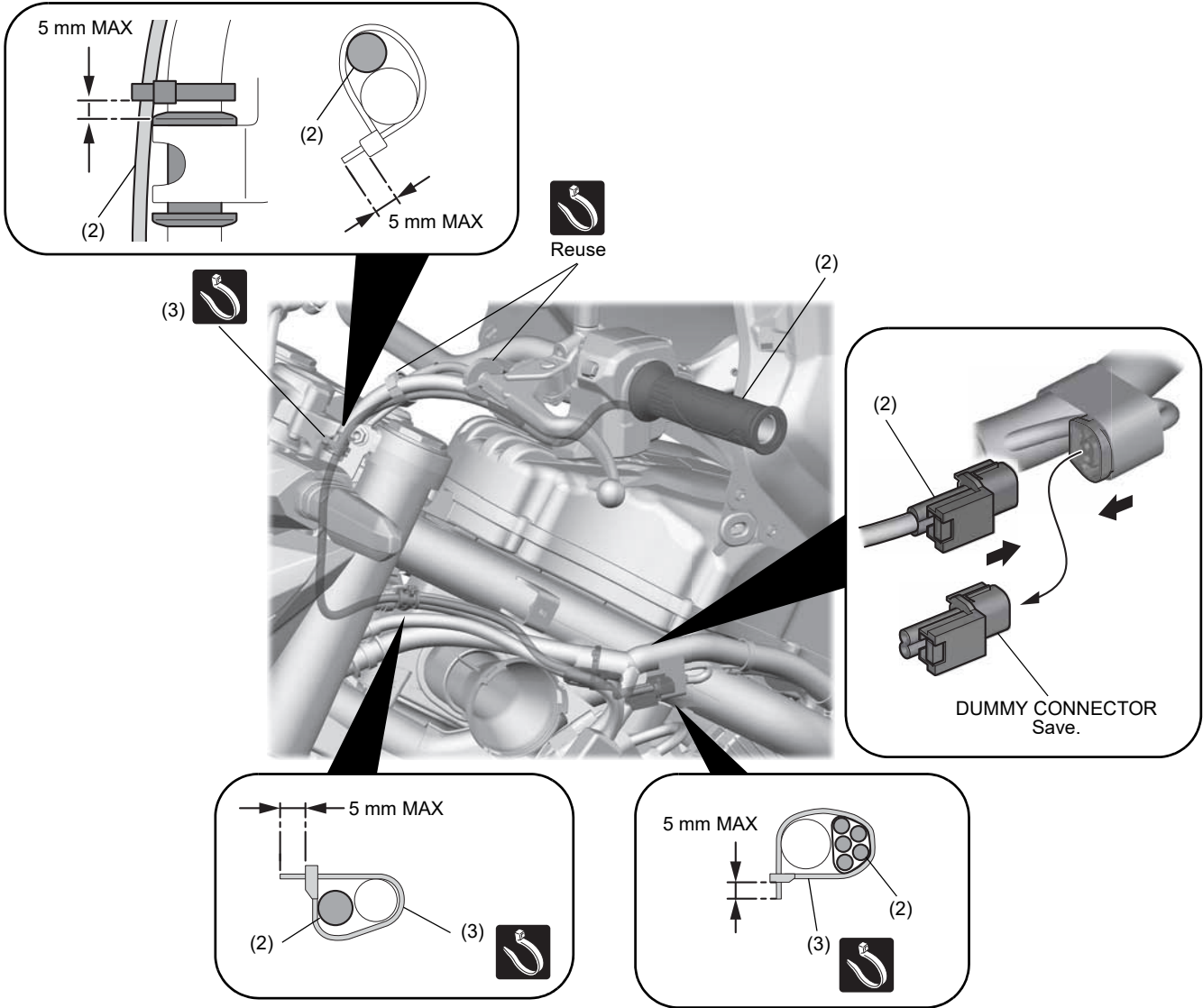


(2) 
(Grip inside)



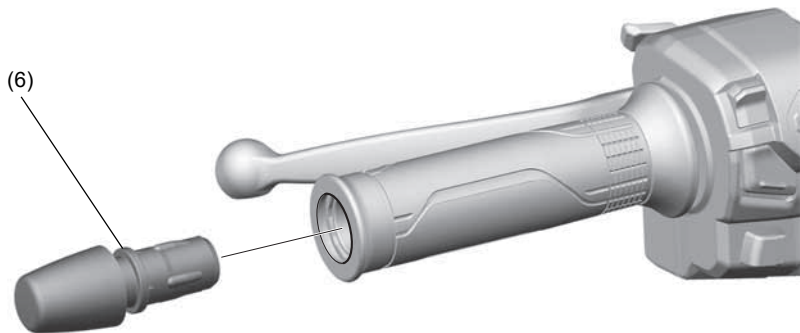
11. Route and connect the harness as shown.

<LEFT SIDE>



12. Install as shown.
 • Repeat on the right side.

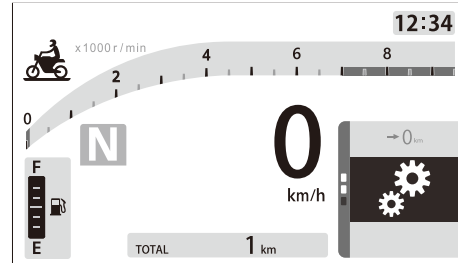
<LEFT SIDE>



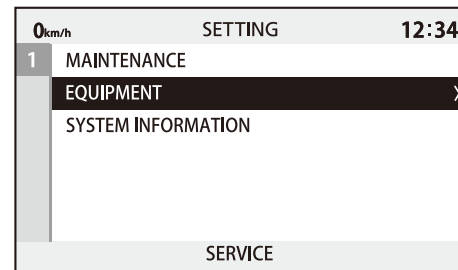
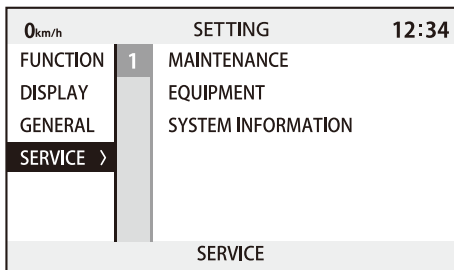
13. Install the motorcycle's parts in the reverse order of removal.
 • Confirm that any harness is not caught or too tight.

SETTING INSTRUCTIONS

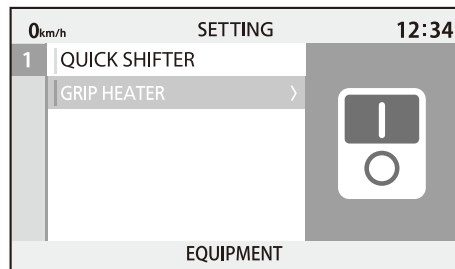
1. Remove the front seat and connect the SCS short connector (070MZ-0010300).
2. Turn the ignition switch ON with the engine stop switch RUN, but does not start the engine.
3. Display the "SETTING" using the Sel switch.



4. Select the SERVICE and EQUIPMENT.





5. Select the "GRIP HEATER", and then press the Sel switch ►.



6. After setting the grip heater equipment, push the Sel left switch several times to return to the top screen.
7. Turn the ignition switch OFF and disconnect the SCS connector.

DEALER TROUBLESHOOTING

- When the grip heater has abnormalities, the grip heater status icon on the combination meter and the grip heater switch icon show following displays. Follow each instruction to perform inspection.

Grip heater icon and level icon (On the combination meter)	Check
	<p>1, 2</p>
	<p>2, 3, 4, 5</p>
<p>Grip heater icon does not light on.</p>	<p>6</p>

- Battery inspection:
Refer to the Service Manual and inspect the battery.
- Check whether wires and cables (terminals and connectors) are connected securely.
- Grip heater inspection:
Check for resistance between the terminals.
➡ Standard:
Right : 1.9 ohms +/- 10%
Left : 1.9 ohms +/- 10%
- Heater harness inspection:
Check for continuity.
- If no abnormality is found after the above checks 2, 3, and 4, but the grip heater still does not operate properly, replace the grip heater with a new one.
 - It is hard to check the switch with ordinary inspection methods (for continuity, voltage, etc.) because it contains an integrated circuit.
- Circuit of grip heater icon inspection:
Refer to Service Manual and inspect the circuit of grip heater icon.